

Fig.1

Signature of the Applicant  
(Somasundaram Ramkumar)

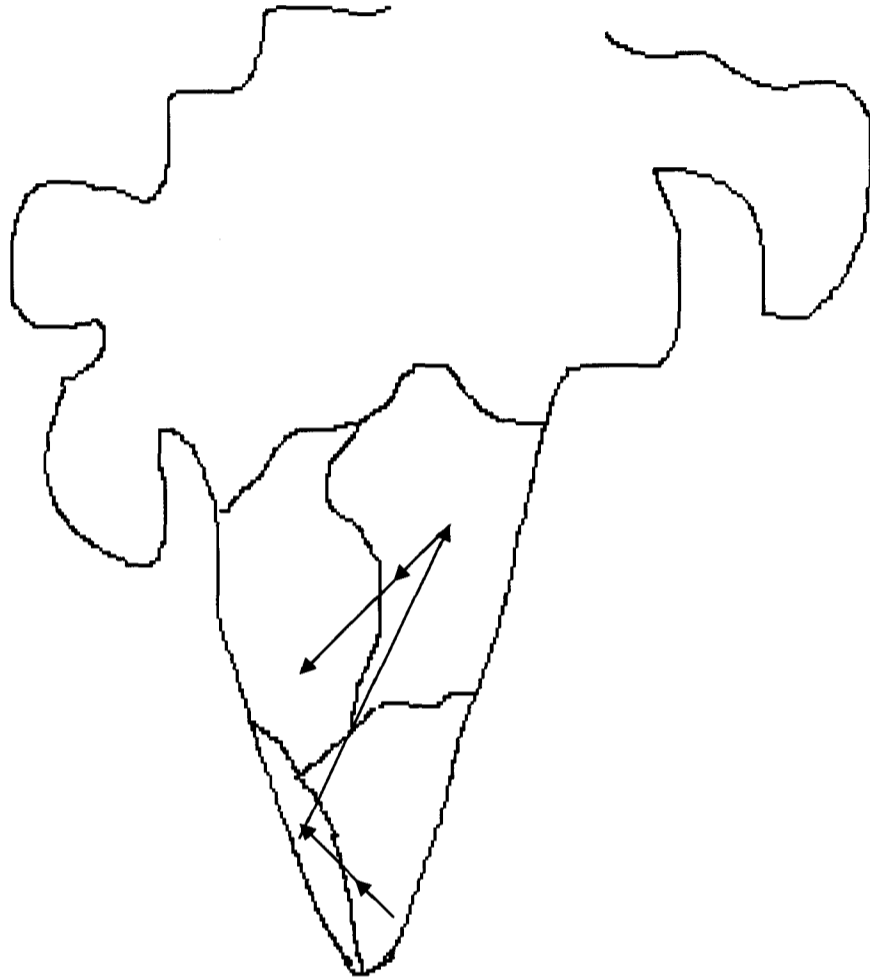


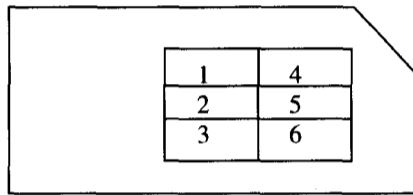
Fig.2

A handwritten signature in black ink, appearing to read 'S. Ramkumar'.

Signature of the Applicant  
(Somasundaram Ramkumar)

**S.RAMKUMAR**  
**161/MAS/2002**

**TOTAL SHEETS : 13**  
**SHEET NO. : 3**



**Fig.3**

*S. Ramkumar*

**Signature of the Applicant**  
**(Somasundaram Ramkumar)**

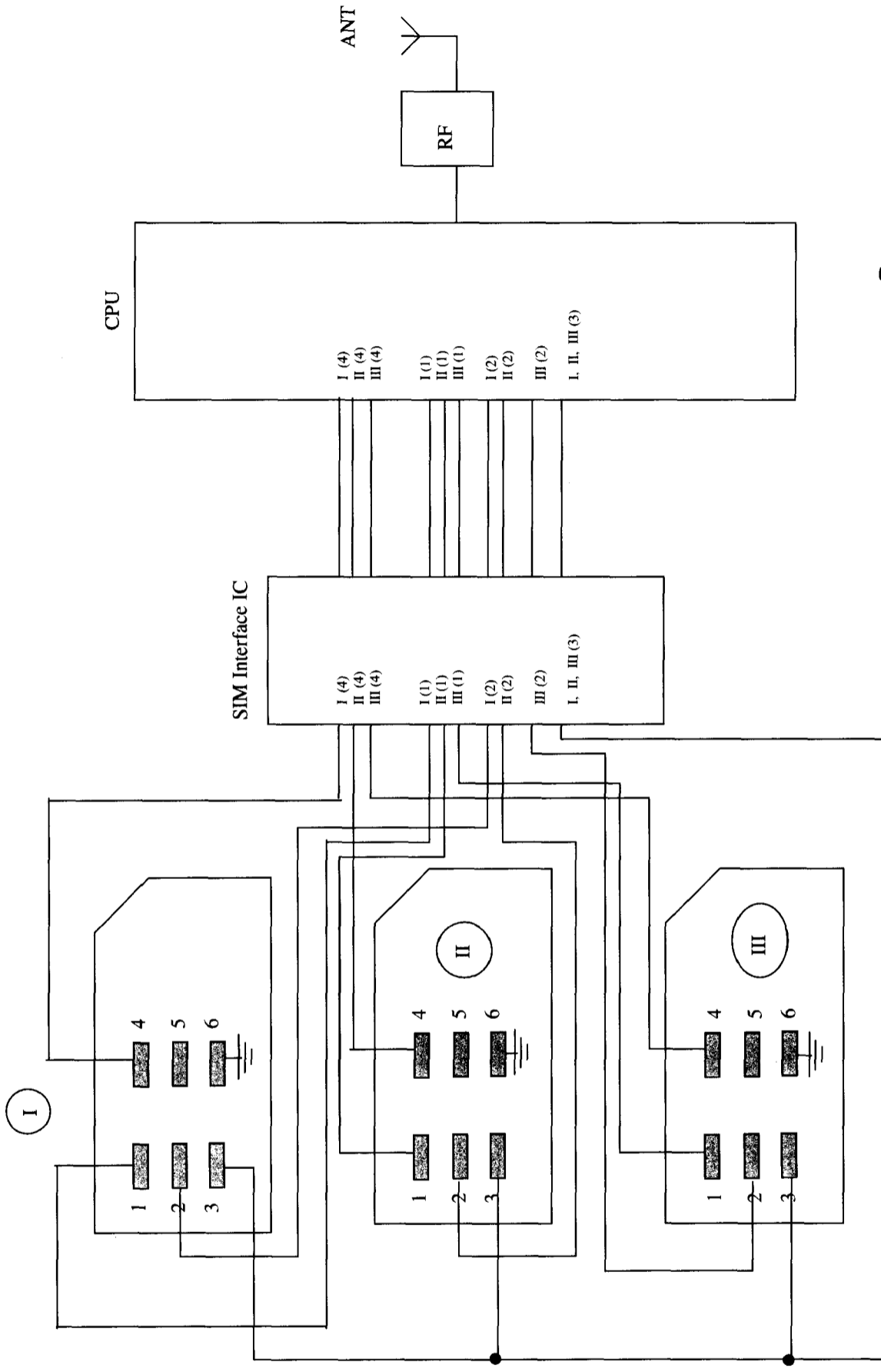


Fig.4

*S. Ram*  
Signature of the Applicant  
(Somasundaram Ramkumar)

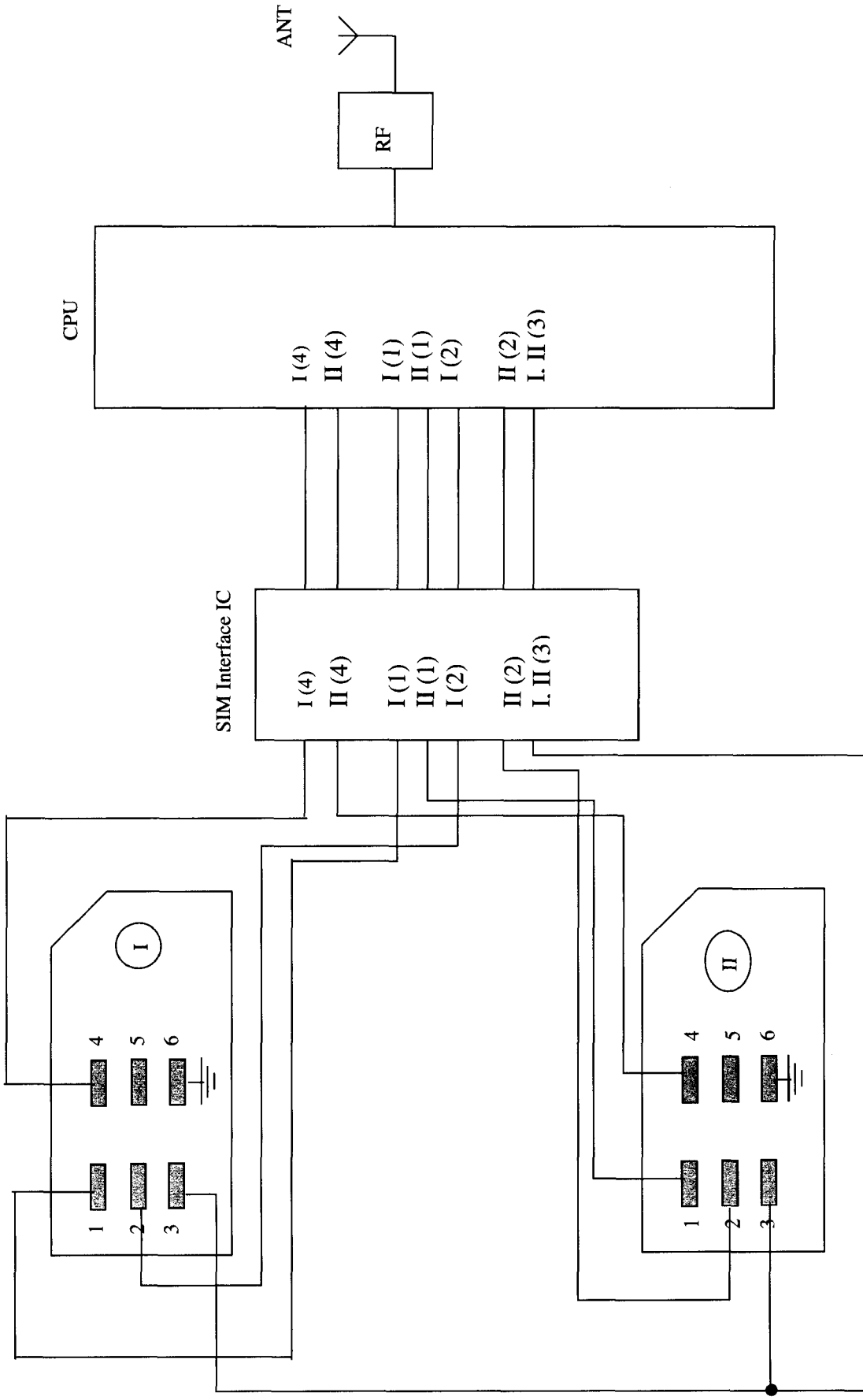


Fig.5

*S. Ramkumar*  
Signature of the Applicant  
(Somasundaram Ramkumar)

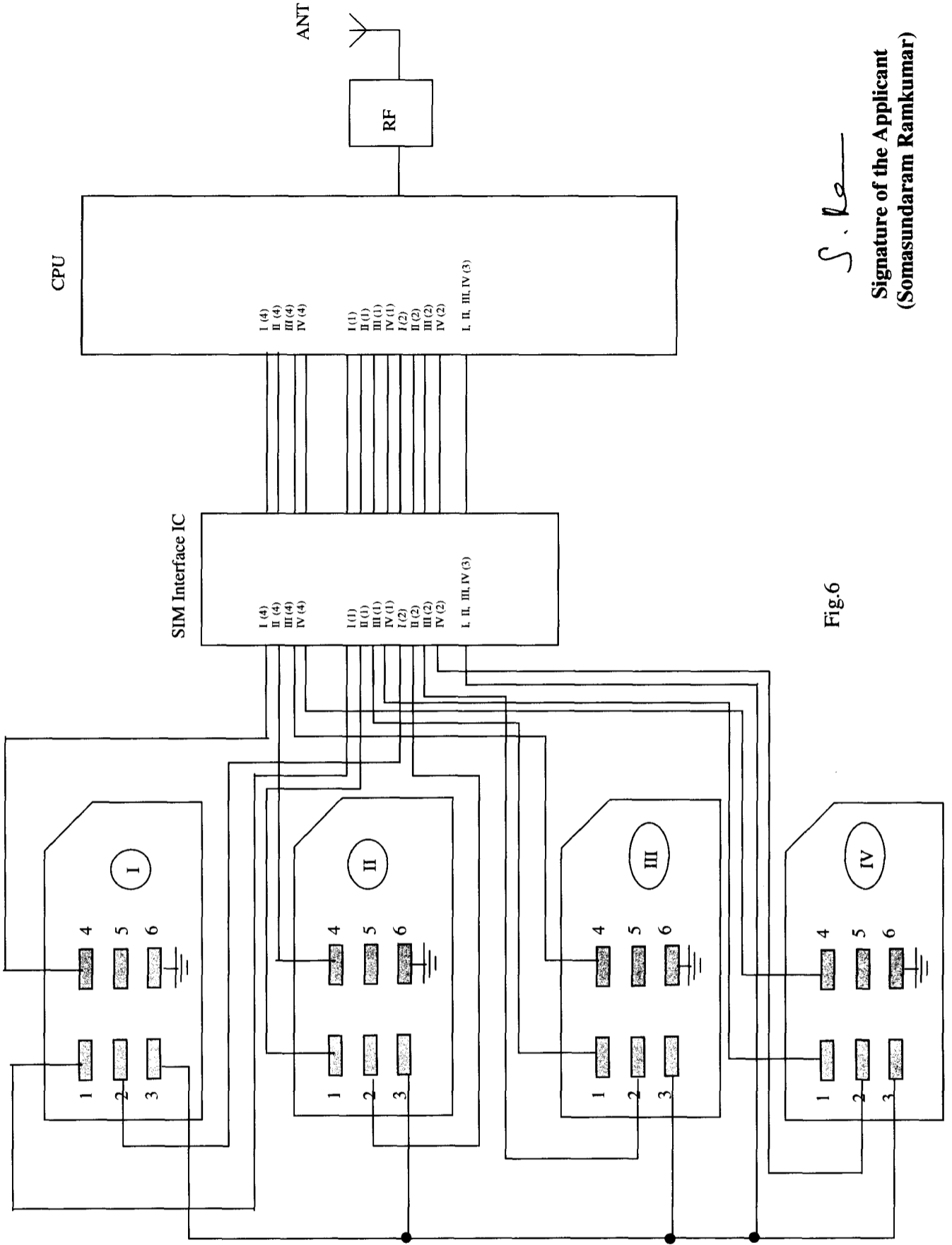


Fig.6

*S. Ram*

Signature of the Applicant  
(Somasundaram Ramkumar)

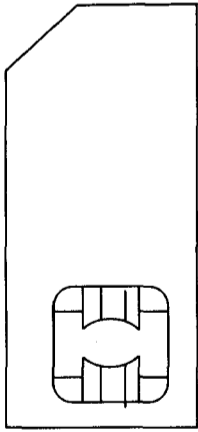


Fig.7a

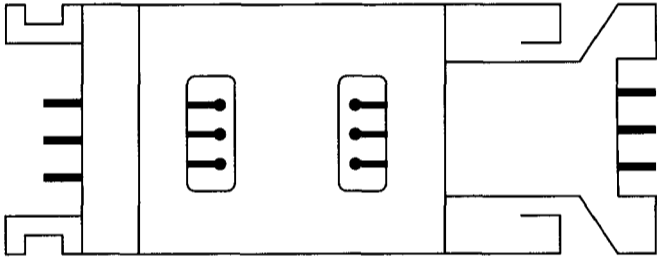


Fig.7b

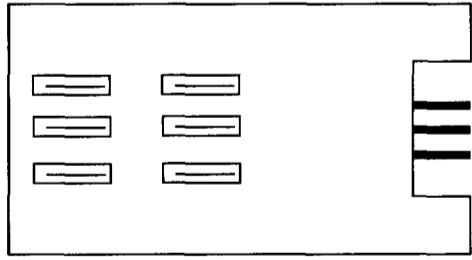


Fig.7c

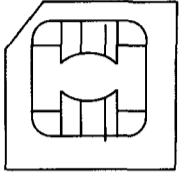


Fig.7e

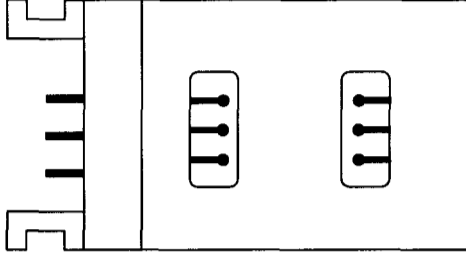


Fig.7f

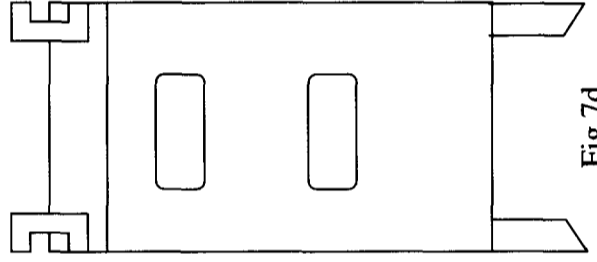
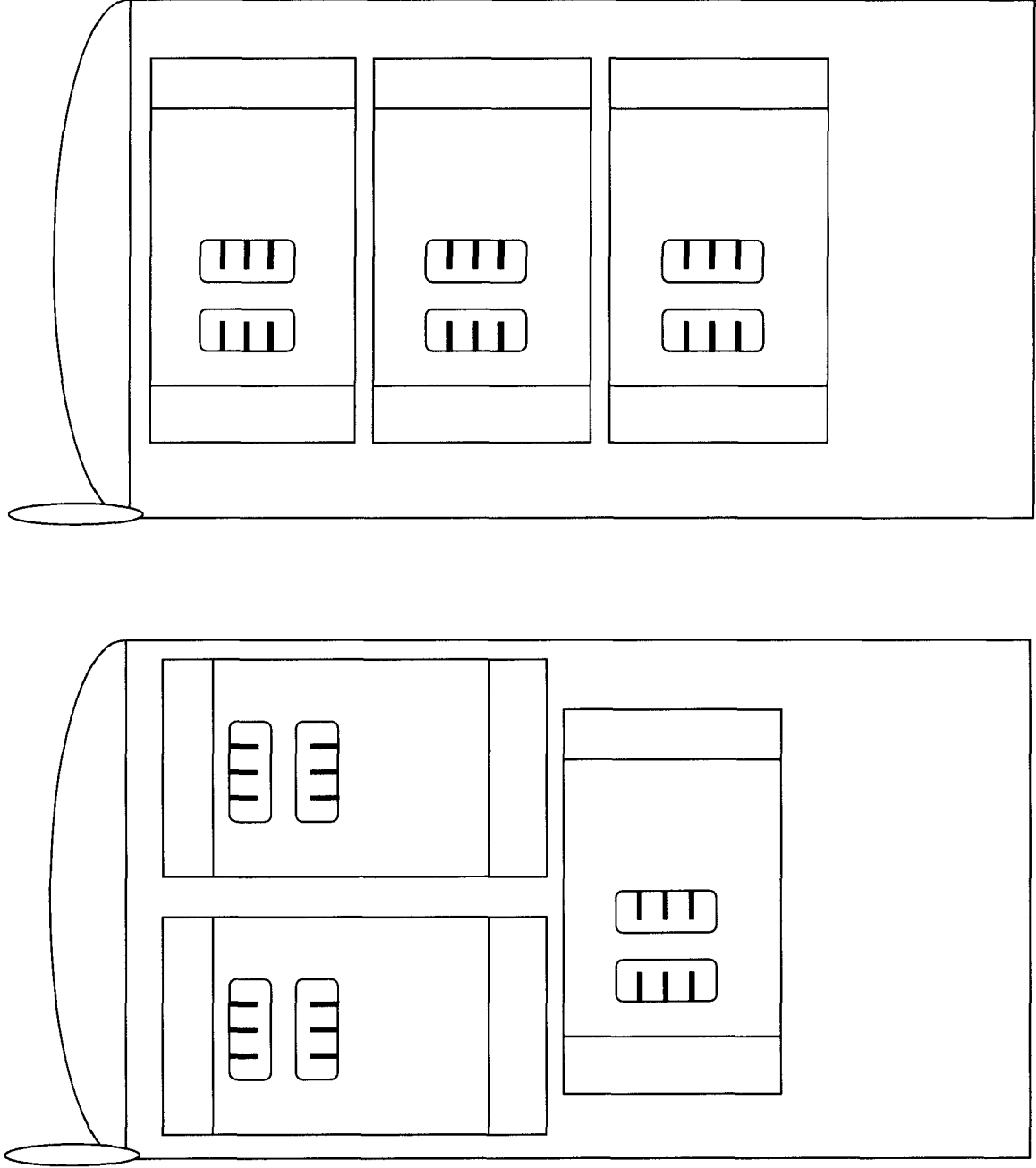


Fig.7d

*S. Ke*

Signature of the Applicant  
(Somasundaram Ramkumar)



S. K.  
Signature of the Applicant  
(Somasundaram Ramkumar)

Fig.8

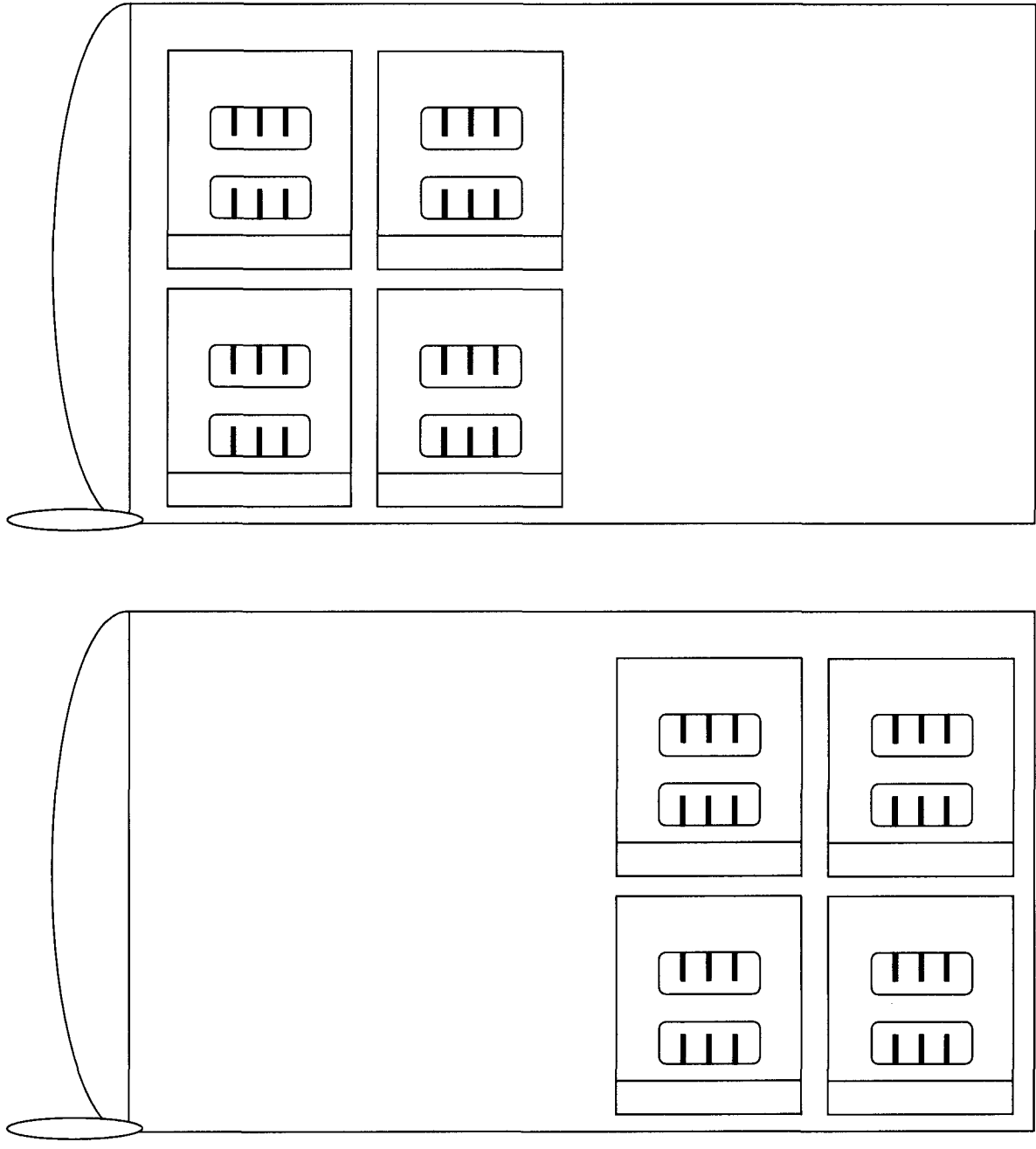


Fig.9

*S.ks*  
Signature of the Applicant  
(Somasundaram Ramkumar)

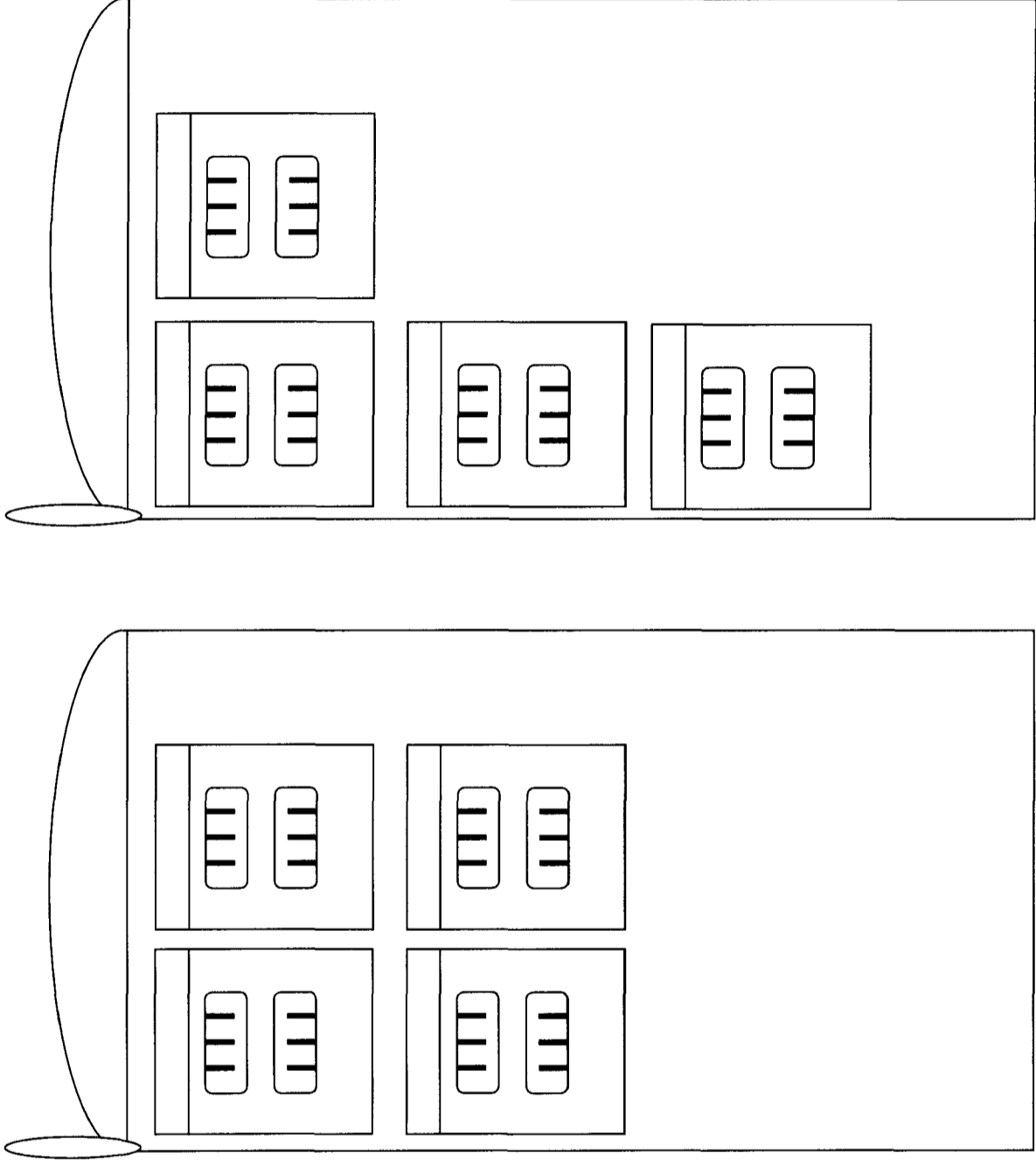


Fig.10

*S. be*  
Signature of the Applicant  
(Somasundaram Ramkumar)

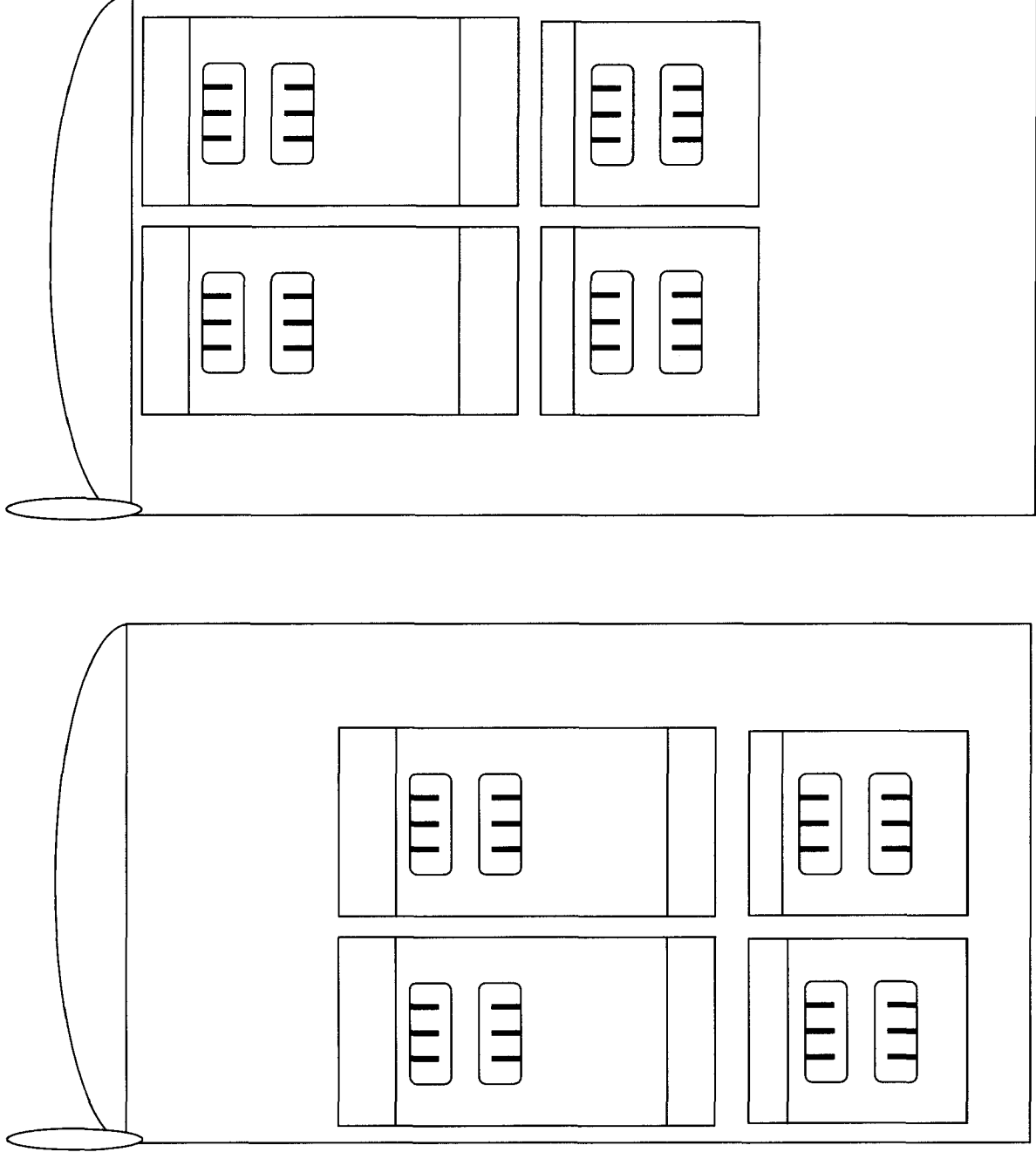


Fig.11

*S. be*  
Signature of the Applicant  
(Somasundaram Ramkumar)

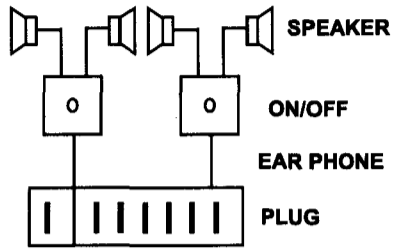


FIG. 12a

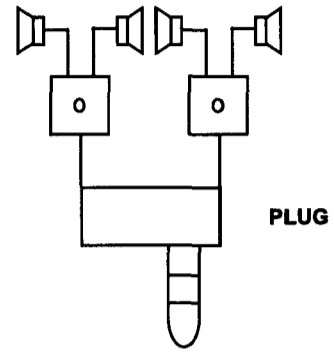


FIG. 12b

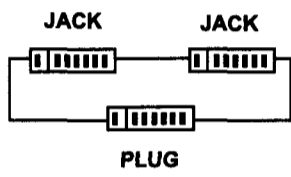


FIG. 12c

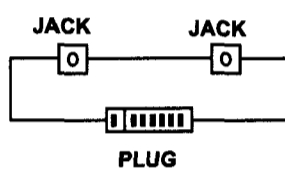


FIG. 12d

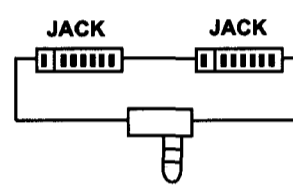


FIG. 12e

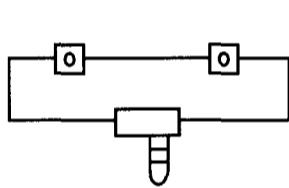


FIG. 12f

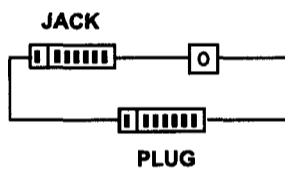


FIG. 12g

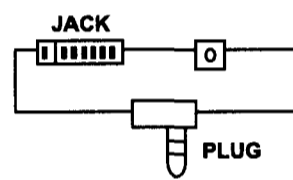


FIG. 12h

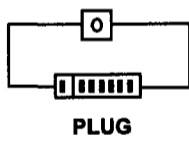


FIG. 12i

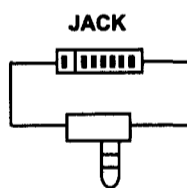


FIG. 12j

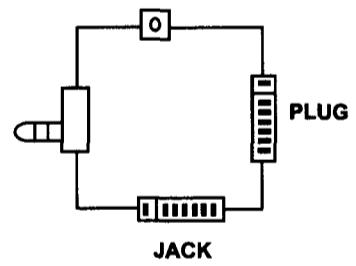


FIG. 12k

*S. ke*  
Signature of the Applicant  
(Somasundaram Ramkumar)

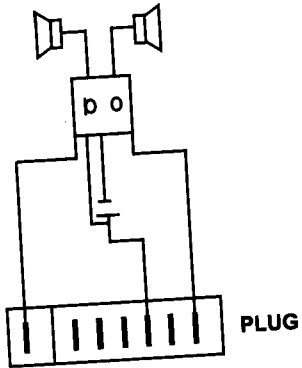


FIG. 13a

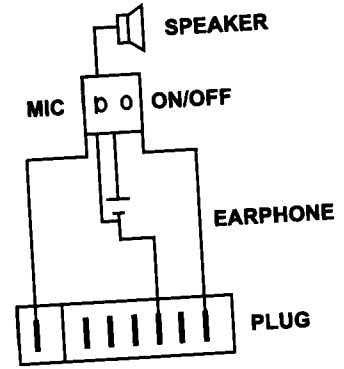


FIG. 13b

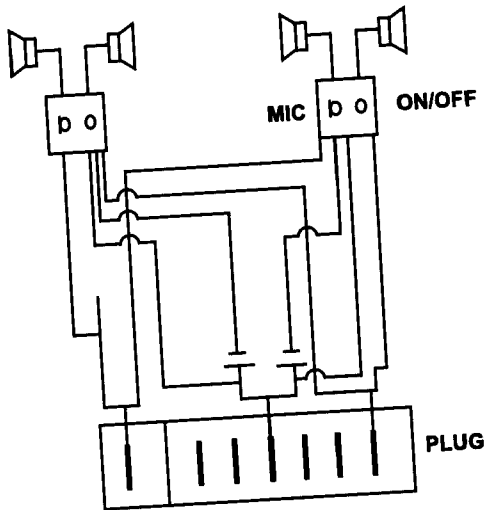


FIG. 13c

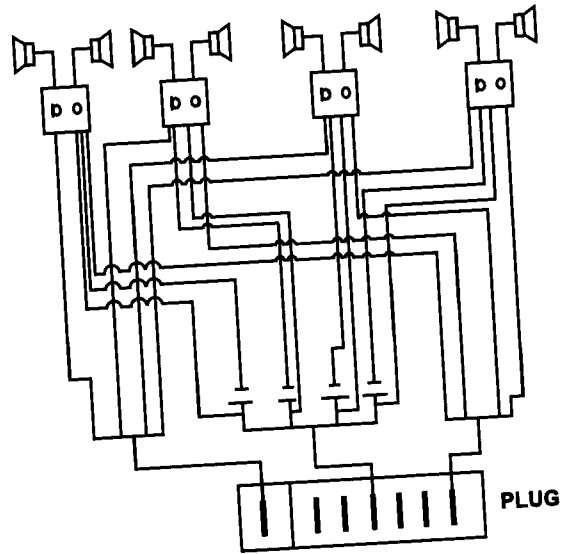


FIG. 13d

*S. Ramkumar*  
Signature of the Applicant  
(Somasundaram Ramkumar)